

HOOVER®

INSTRUCTIONS AND WARRANTY



MODEL: HU87-TA-ZA

HOOVER TURBO AIR UPRIGHT VACUUM

Congratulations on purchasing our Hoover Turbo Air Upright Vacuum. Each unit is manufactured to ensure safety and reliability. Before using this appliance for the first time, please read the instruction manual carefully and keep it for future reference.

FEATURES OF THE HOOVER TURBO AIR UPRIGHT VACUUM

- Motor power: 1200W
- Cyclonic filtration
- Dust capacity: 2L
- Exhaust HEPA filter H10
- On board accessory storage

PACKAGE CONTENTS

- Upright Vacuum
- Extension hose
- Combination crevice tool & upholstery brush
- Turbo brush

IMPORTANT SAFEGUARDS

1. Please read the instructions carefully before using any appliance.
2. Always ensure that the voltage on the rating label corresponds to the mains voltage in your home.
3. Incorrect operation and improper use can damage the appliance and cause injury to the user.
4. The appliance is intended for household use only. Commercial use invalidates the warranty and the supplier cannot be held responsible for injury or damage caused when using the appliance for any other purpose than that intended.
5. Avoid any contact with moving parts.
6. This appliance is not intended for use by persons (including children) with reduced physical, sensory or mental capabilities, or lack of experience and knowledge, unless they have been given supervision or instruction concerning use of the appliance by a person responsible for their safety.
7. Children should be supervised to ensure that they do not play with the appliance.
8. Check the power cord and plug regularly for any damage. If the cord or the plug is damaged, it must be replaced by the manufacturer or a qualified person in order to avoid an electrical hazard.

9. Do not use the appliance if it has been dropped or damaged in any way. In case of damage, take the unit in for examination and/or repair by an authorised service agent.
10. To reduce the risk of electric shock, do not immerse or expose the motor or any part of the unit, plug or the power cord to water or any other liquid.
11. Never immerse the full unit in water or any other liquid for cleaning purposes.
12. Remove the plug from the socket by gripping the plug. Do not pull on the cord to disconnect the appliance from the mains. Always unplug the unit when not in use, before cleaning or when adding or removing parts.
13. The use of accessory attachments that are not recommended or supplied by the manufacturer may result in injuries, fire or electric shock.
14. A short cord is provided to reduce the hazards resulting from becoming entangled in or tripping over a longer cord.
15. Do not let the cord hang over the edge of a table or counter. Ensure that the cord is not in a position where it can be pulled on inadvertently.
16. Do not allow the cord to touch hot surfaces and do not place on or near a hot gas or electric burner or in a heated oven.
17. Do not use the appliance on a gas or electric cooking top or over or near an open flame.
18. Use of an extension cord with this appliance is not recommended. However, if it is necessary to use an extension lead, ensure that the lead is suited to the power consumption of the appliance to avoid overheating of the extension cord, appliance or plug point. Do not place the extension cord in a position where it can be pulled on by children or animals or tripped over.
19. This appliance is not suitable for outdoor use. Do not use this appliance for anything other than its intended use.
20. Do not carry the appliance by the power cord.
21. Do not leave this appliance unattended during use. Always unplug the unit when not in use or before cleaning.
22. Always operate the appliance on a smooth, even, stable surface. Do not place the unit on a hot surface.
23. Ensure that the switch is in the "Off" position after each use.
24. The manufacturer does not accept responsibility for any damage or injury caused by improper or incorrect use, or for repairs carried out by unauthorised personnel.
25. In case of technical problems, switch off the machine and do not attempt to repair it yourself. Return the appliance to an authorised service facility for examination, adjustment or repair. Always insist on the use of original spare parts.

26. Failure to comply with the above-mentioned precautions and instructions, could affect the safe operation of this machine.
27. Do not operate the unit with wet hands or without shoes.
28. Do not place objects into any openings.
29. Do not operate if any openings are blocked.
30. Keep unit free from dust, lint, hair and anything else that may reduce the airflow.
31. This vacuum cleaner creates suction, as such, hair, loose clothing, fingers and other body parts should be kept away from any openings.
32. Do not use the unit to pick up any burning, smoking or flammable objects such as cigarettes, matches or hot ash.
33. Do not use the unit to pick up flammable or combustible liquids such as gasoline or use the unit in areas where these liquids are present.
34. Do not use the unit without the filter in place.

IMPORTANT NOTE: The motor of the unit needs to be switched off for 1 minute after 15 minutes of consecutive use. This is to allow the motor to cool down and to prevent the motor from overheating, which may cause motor failure. Do not operate this unit for more than 4 hours (with cool down periods included) at any given time. Also ensure that the product is cleaned after each use.

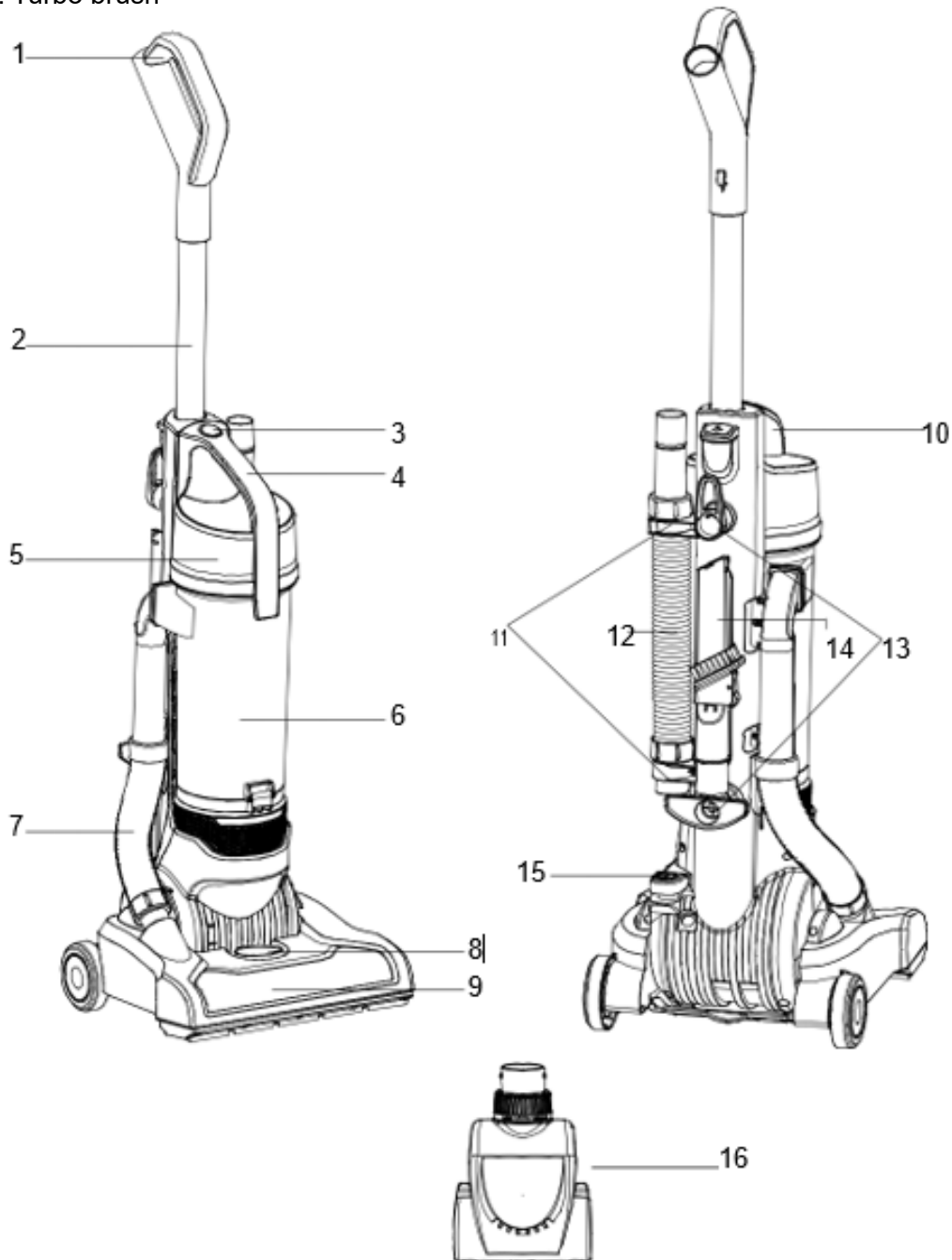
Please ensure to clean all the filters as shown in the general cleaning and maintenance section, after each use.

The vacuum cleaner is fitted with an automatic cut out switch, which turns the motor off when it overheats. The main cause of overheating is wet, dirty and blocked filters. Should the vacuum cleaner stop working due to overheating, please follow the following steps:

1. Turn off the power at the wall socket
2. Unplug the vacuum cleaner
3. Allow the vacuum cleaner to cool down for 60 minutes
4. Clean all the filters as shown in the general maintenance and cleaning section

PARTS DIAGRAM

1. Handle
2. Tube
3. Dust container release button
4. Dust container handle
5. Dust container lid
6. Dust container
7. Accessory hose
8. Height adjust dial
9. Power brush
10. Handle release button
11. Extension hose holder
12. Extension hose
13. Cord storage hooks
14. 2 in1 accessory
15. On/Off button
16. Turbo brush

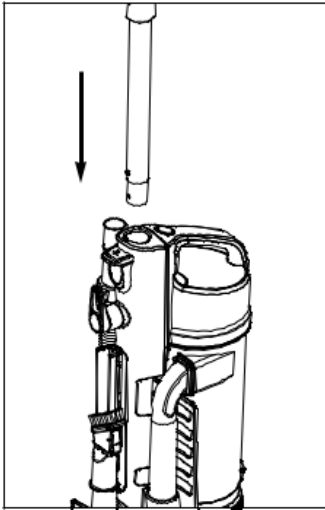


ASSEMBLY INSTRUCTIONS

Remove all the parts from the packaging

Assembly of the body and handle:

1. Push the handle release button (10) on the main body and while doing so, Insert the handle (1) into the main body (you will hear a click sound once it is in place)



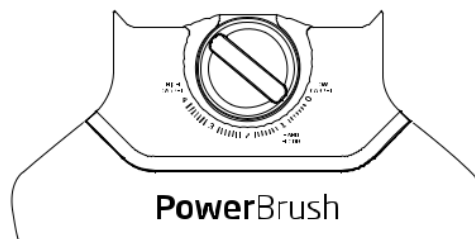
2. To remove the handle (1), press the handle release button (10) and remove the handle from the main body by pulling upward
3. Place the 2 in 1 accessory (14) into the accessory holder.

OPERATING INSTRUCTIONS

1. Remove the power cord from the cord storage hooks (13)
2. Press the On/Off button (15) to switch on your appliance
3. After using the appliance, switch it off by pressing the On/Off button (15)

Using the brush roller

1. You can adjust the power brush height by turning the height adjust dial (8) on the power brush (9).



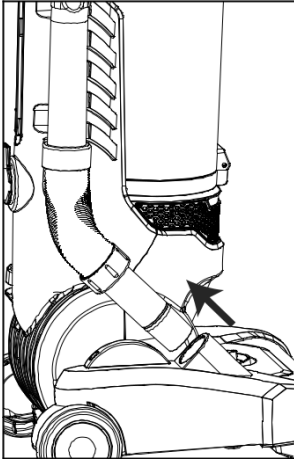
- | |
|---|
| <p>4 – Very High Carpet mode: Use this setting for thick carpets.
3 – High Carpet mode: Use this setting for carpets with a medium thickness.
2 - Carpet mode: Use this setting for carpets with a normal thickness.
1 – Hard Floor mode: Use this setting for hard floors.
0 – Low Carpet mode: Use this setting for carpets that are not thick.</p> |
|---|

Accessories

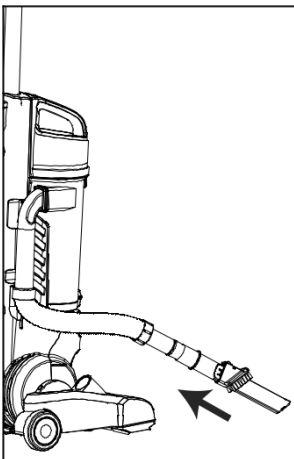
Note: You can store the 2 in 1 accessory (14) tool on the main body tool holder.

Using the accessories with the accessory hose

1. Remove the accessory hose (7) from the main body

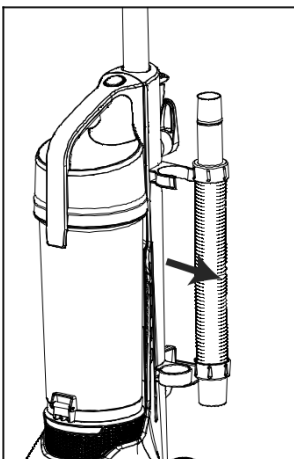


2. Attach the required accessory onto the hose end

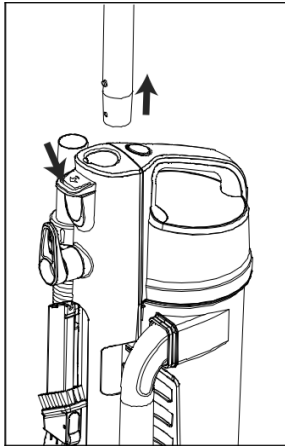


Using the extension hose

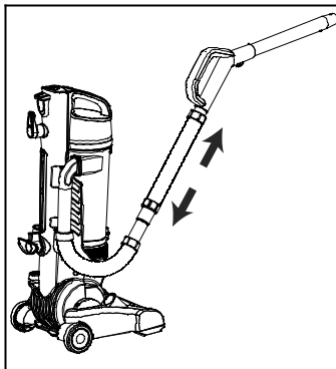
1. Remove the extension hose from the main body



2. Remove the tube (2) from the main body by pushing the handle release button (10) & pulling upward



3. Attach the handle on to the hose extension
4. Attach the tube on to the hose extension

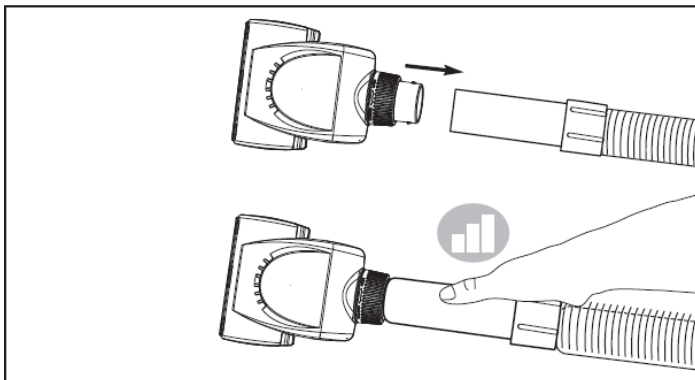


5. Attach the required accessory to the tube

Note: You can use the special turbo brush (16) to easily remove your pet's hair from your sofa and furniture.

Using the turbo brush

The brush tool (16) is inserted in the hose or extension hose as the below image.

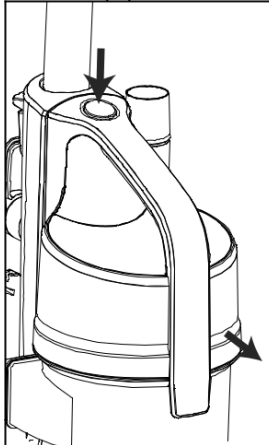


GENERAL MAINTENANCE AND CLEANING

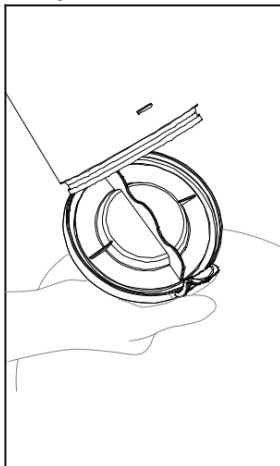
IMPORTANT: Switch off the appliance and unplug it before cleaning. The dust container filter must always be in place when operating the vacuum.

A. Cleaning the dust container

1. Press the dust container release button (3) and pull the handle of the dust container (6) to remove it



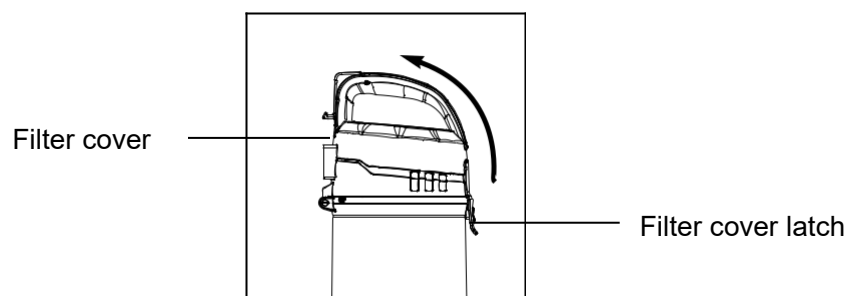
2. Hold the dust container (6) over a dust bin
3. Press the dust container (6) release button (3) and empty contents into the dustbin



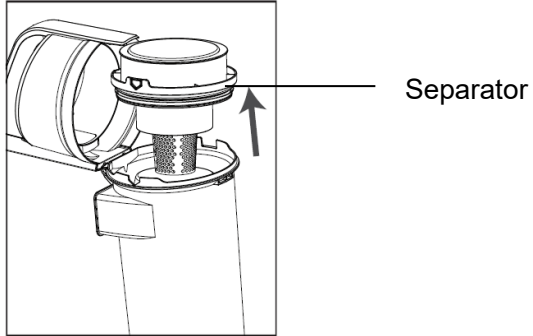
4. After the dust container (6) has been emptied, close the opened lid gently.

B. Cleaning the pre-motor filter

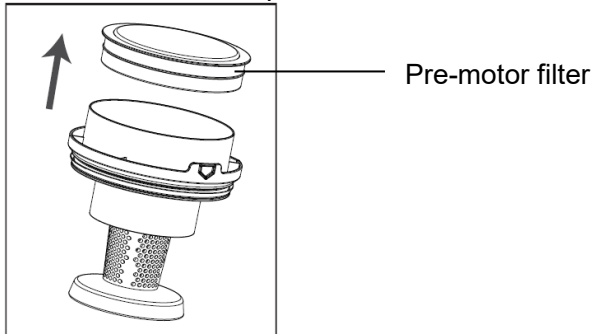
1. Open the filter cover by pulling the latch gently as shown below



2. Remove the separator



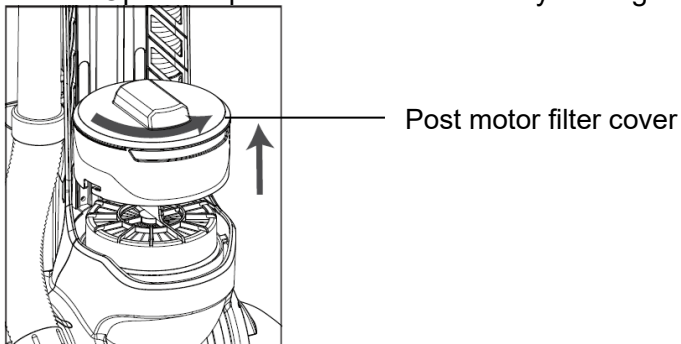
3. Remove the pre-motor filter from the separator



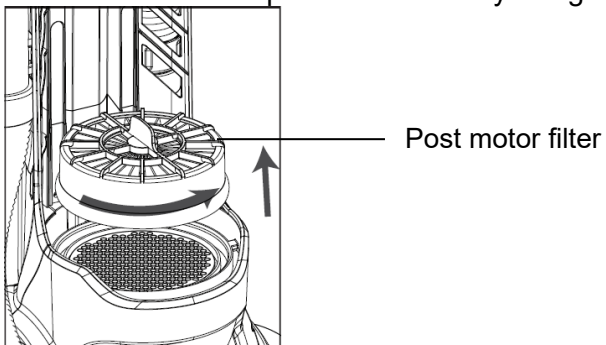
4. Wash the pre-motor filter with warm water

C. Cleaning the post motor filter

1. Open the post motor filter cover by turning it counter clockwise



2. Remove the post motor filter by lifting it

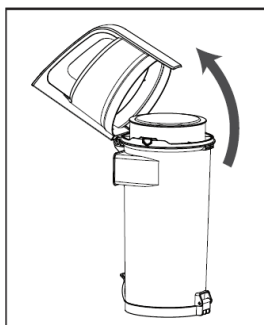


3. Wash the post motor filter with warm water

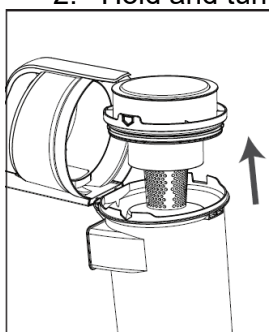
NB: Leave the filters to dry for 24 hours. The filters must be completely dry before use.

D. Cleaning the cyclone filter separator

1. Open the filter cover



2. Hold and turn the separator clockwise. Remove it from the dust container



3. Clean the cyclone filter with a dry cloth
4. Return the cyclone filter to the dust container, ensuring to lock it back into place by turning it counter clockwise.

NB: Please ensure to clean all the filters after each use. Using the machine with damp filters could damage the motor so, please ensure that only completely dry filters are placed back into the vacuum cleaner after they have been washed. Wet or damp filters attract dust which restricts airflow. This causes the motor to overheat, which in turn shortens the lifespan of the vacuum cleaner.

Note: The Brush Roller needs to be checked on a regular basis and any pieces of string or debris should be removed to ensure that the product does not get damaged.

TROUBLE SHOOTING

FAULT	CAUSE	ACTION
Loss of suction power	Dust Container is full of debris	Empty the canister following Section A. in General Cleaning & Maintenance
Shuts down during use	Dirty and or clogged filters	Empty out the canister and cleaning all the filters in the vacuum cleaner following Section A, B, C and D in General Cleaning and Maintenance
Roller brush not working	Debris obstructing roller brush function	Clean out debris using a plastic knife or something similar. NB: Do not use sharp metal objects as it could damage the roller brush and it's functionality

STORING THE APPLIANCE

1. Unplug the unit from the wall outlet and clean all the parts as instructed above.
Ensure that all parts are dry before storing.
2. Store the appliance in its box or in a clean, dry place.
3. Never store the appliance while it is still wet or dirty.
4. Never wrap the power cord around the appliance.

SERVICING THE APPLIANCE

There are no user serviceable parts in this appliance. If the unit is not operating correctly, please check the following:

- You have followed the instructions correctly
- That the wall socket is switched on.
- That the mains power supply is ON.
- That the plug is firmly in the mains socket.

If the appliance still does not work after checking the above:

Consult the retailer for possible repair or replacement. If the retailer fails to resolve the problem and you need to return the appliance, make sure that:

- The unit is packed carefully back into its original packaging.
- Proof of purchase is attached.
- A reason is provided for why it is being returned.

If the supply cord is damaged, it must be replaced by the manufacturer or an authorised service agent, to avoid any hazard. If service becomes necessary within the warranty period, the appliance should be returned to an approved Home of Living Brands (Pty) Limited service centre. Servicing outside the warranty period is still available, but will, however, be chargeable.

PLEASE AFFIX YOUR PROOF OF PURCHASE/RECEIPT HERE

IN THE EVENT OF A CLAIM UNDER WARRANTY THIS RECEIPT MUST BE PRODUCED.

W A R R A N T Y

1. Home of Living Brands (Pty) Limited (“Home of Living Brands”) warrants to the original purchaser of this product (“the customer”) that this product will be free of defects in quality and workmanship which under normal personal, family or household use and purpose may manifest within a period of 1 (one) year from the date of purchase (“warranty period”).
2. Where the customer has purchased a product and it breaks, is defective or does not work properly for the intended purpose, the customer must notify the supplier from whom the customer bought the product (“the supplier”) thereof within the warranty period. Any claim in terms of this warranty must be supported by a proof of purchase. If proof of purchase is not available, then repair, and/or service charges may be payable by the customer to the supplier.
3. The faulty product must be taken to the supplier's service centre to exercise the warranty.
4. The supplier will refund, repair or exchange the product in terms of this warranty subject to legislative requirements. This warranty shall be valid only where the customer has not broken the product himself or used the product for something that it is not supposed to be used for. The warranty does not include and will not be construed to cover products damaged as a result of disaster, misuse, tamper, abuse or any unauthorised modification or repair of the product.
5. This warranty will extend only to the product provided at the date of the purchase and not to any expendables attached or installed by the customer.
6. If the customer requests that the supplier repairs the product and the product breaks or fails to work properly within 3 (three) months of the repair and not as a result of misuse, tampering or modification by or on behalf of the customer, then the supplier may replace the product or pay a refund to the customer.
7. The customer may be responsible for certain costs where products returned are not in the original packaging, or if the packaging is damaged. This will be deducted from any refund paid to the customer.

HOME OF LIVING BRANDS (PTY) LTD (JOHANNESBURG)

NATIONAL CONTACT NUMBER

TEL NO. (087) 245 0029

JOHANNESBURG

TEL NO. (011) 490-9600

www.homeoflivingbrands.com

www.hooversa.co.za

Please Note: This warranty is not applicable to motor damage as a result of filters not being cleaned on a regular basis.