

HOOVER®

INSTRUCTIONS AND WARRANTY



MODEL: H84-7WD-ZA

HOOVER HANDHELD H84-7WD-ZA WET & DRY 7.4V

Congratulations on purchasing our Hoover 7.4V Wet & Dry Handheld Vacuum. Each unit is manufactured to ensure safety and reliability. Before using this appliance for the first time, please read the instruction manual carefully and keep it for future reference.

FEATURES OF THE HOOVER 7.4V WET & DRY HANDHELD VACUUM

- 7.4V LITHIUM BATTERY
- Wet & dry cordless operation
- Operating Time 18min
- Charging time: 5-6 hours
- Charging indicator
- Charging & discharging battery protection
- Accessories:
 - Crevice Tool
 - Wet vacuum nozzle
 - Charging wall mount

IMPORTANT SAFEGUARDS

1. When using any electrical appliance, basic safety precautions should always be followed including the following:
 1. Please read the instructions carefully before using any appliance.
 2. Always ensure that the voltage on the rating label corresponds to the mains voltage in your home.
 3. Incorrect operation and improper use can damage the appliance and cause injury to the user.
 4. The appliance is intended for household use only. Commercial use invalidates the warranty and the supplier cannot be held responsible for injury or damage caused when using the appliance for any other purpose than that intended.
 5. Avoid any contact with moving parts.
 6. This appliance is not intended for use by persons (including children) with reduced physical, sensory or mental capabilities, or lack of experience and knowledge, unless they have been given supervision or instruction concerning use of the appliance by a person responsible for their safety.
 7. Children should be supervised to ensure that they do not play with the appliance.

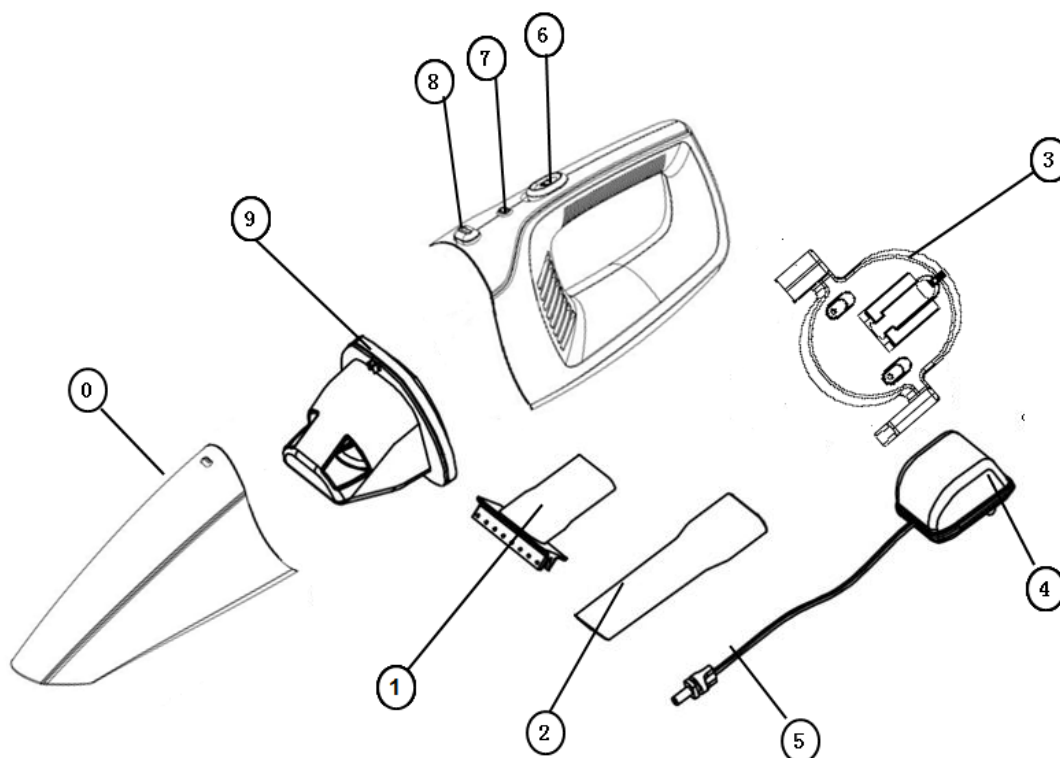
8. Check the power cord and plug regularly for any damage. If the cord or the plug is damaged, it must be replaced by the manufacturer or a qualified person in order to avoid an electrical hazard.
9. Do not use the appliance if it has been dropped or damaged in any way. In case of damage, take the unit in for examination and/or repair by an authorised service agent.
10. To reduce the risk of electric shock, do not immerse or expose the motor assembly, plug or the power cord to water or any other liquid.
11. Never immerse the full unit in water or any other liquid for cleaning purposes.
12. Remove the plug from the socket by gripping the plug. Do not pull on the cord to disconnect the appliance from the mains. Always unplug the unit when not in use, before cleaning or when adding or removing parts.
13. The use of accessory attachments that are not recommended or supplied by the manufacturer may result in injuries, fire or electric shock.
14. A short cord is provided to reduce the hazards resulting from becoming entangled in or tripping over a longer cord.
15. Do not let the cord hang over the edge of a table or counter. Ensure that the cord is not in a position where it can be pulled on inadvertently.
16. Do not allow the cord to touch hot surfaces and do not place on or near a hot gas or electric burner or in a heated oven.
17. Do not use the appliance on a gas or electric cooking top or over or near an open flame.
18. Use of an extension cord with this appliance is not recommended. However, if it is necessary to use an extension lead, ensure that the lead is suited to the power consumption of the appliance to avoid overheating of the extension cord, appliance or plug point. Do not place the extension cord in a position where it can be pulled on by children or animals or tripped over.
19. This appliance is not suitable for outdoor use. Do not use this appliance for anything other than its intended use.
20. DO NOT carry the appliance by the power cord.
21. Do not leave this appliance unattended during use. Always unplug the unit when not in use or before cleaning.
22. Always operate the appliance on a smooth, even, stable surface. Do not place the unit on a hot surface.
23. Ensure that the switch is in the "Off" position after each use.
24. The manufacturer does not accept responsibility for any damage or injury caused by improper or incorrect use, or for repairs carried out by unauthorised personnel.

25. In case of technical problems, switch off the machine and do not attempt to repair it yourself. Return the appliance to an authorised service facility for examination, adjustment or repair. Always insist on the use of original spare parts. Failure to comply with the above mentioned pre-cautions and instructions, could affect the safe operation of this machine.
26. Do not operate the unit with wet hands or without shoes.
27. Do not place objects into any openings.
28. Do not operate if any openings are blocked
29. Keep unit free from dust, lint, hair and anything else that may reduce the airflow.
30. This vacuum cleaner creates suction and contains a revolving brush roll, as such, hair, loose clothing, fingers and other body parts should be kept away from any openings or moving parts
31. Do not use the unit to pick up any burning, smoking or flammable objects such as cigarettes, matches or hot ash.
32. Do not use the unit to pick up flammable or combustible liquids such as gasoline or use the unit in areas where these liquids are present.
33. Do not use the unit without the dust cap or filter in place.

IMPORTANT NOTE: The motor of the unit needs to be switched off for 1 minute after 15 minutes of consecutive use. This is to allow the motor to cool down and prevent motor failure. Also ensure that the product is cleaned on a regular basis and or after each use.

PARTS DIAGRAM

- 0 Dirt container
- 1 Wet vacuum nozzle
- 2 Crevice nozzle
- 3 Wall mount
- 4 Power adapter
- 5 Power Cord
- 6 On/Off switch
- 7 Charge indicator light (red/green)
- 8 Unlock button
- 9 Dust Filter with separate dust-bag



TECHNICAL DATA

Power adapter
Input: 100-240V/ 50-60Hz AC
Output: 9.6V /300mA DC
Output voltage: $9.6V \pm 5\%$
Output current: 300mA—380mA
Protection class: II
Battery: 7,4 V
Batteries Capacity: 2000mAh
Batteries: 2 x 3.7V Lithium 18650

INFORMATION ABOUT THE BATTERIES

1. This hand vacuum cleaner is operated by rechargeable Lithium batteries. Before using the cordless hand vacuum cleaner for the first time, the batteries must be charged for at least 12 hours.
2. The batteries reach their full capacity after a charging period of 6 hours. For care of the batteries we recommend the following: after the batteries are charged, remove the power adapter 4 from the mains power socket. Reconnect the power adapter 4 again with the mains power socket when the suction power of the appliance is noticeably weaker.

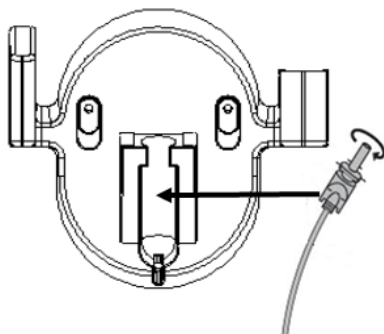
INSTALLATION OF THE WALL MOUNT

Extreme Caution Required!

Ensure that there are no power cables or other conduits or pipes in the wall at the location where you intend to drill the holes for the wall mount (3). It would be a potentially fatal risk to drill into a current carrying electric cable!

1. Place the power cord (5) of the power adapter (4) into the wall mount (3) as shown in the diagram.

Secure the power cord (5) by turning it.



2. Select a suitable installation location for the wall mount (3): It should present no problem when removing the vacuum cleaner and the power socket for the power adapter (4) must be accessible.
3. Drill two holes with a spacing of approx. 58mm between the holes. Use the wall mount (3) to mark the holes: this will ensure the spacing is correct. The holes must be suitable for 5mm wall plugs.
4. Insert the wall plugs into the holes and, using the screws, firmly screw the wall mount (3) to the wall.
5. Place the nozzles on the lateral accessories holder.
6. Connect the power adapter (4) to a mains power socket.

CHARGING

Note:

Check to ensure that the on/off switch (6) has been slid back (to the position "0") before starting the charging process.

- Place the hand vacuum cleaner from above into the wall mount (3) so that the power cord (5) slips into the socket on the hand vacuum cleaner.

The charging indicator light (7) glows blinking RED and the charging process begins.

Important!

- When the charging process is complete, this may take 5 to 6 hours for completely discharged batteries, the device will switch over to a trickle charge (maintenance function) automatically. Nevertheless, to avoid possible damage to the batteries, do not leave the appliance permanently connected to the power adapter (4).
- Reconnect the appliance with the power adapter (4) when the suction power has become noticeably weaker.

Note:

The hand vacuum cleaner can also be charged directly via the power adapter (4). To do this, remove the power cord 5 with a slight twist from the wall mount (3) and insert it into the socket on the hand vacuum cleaner.

OPERATION

Warning!

The suction opening must always be open and free of any dirt or debris. Blockages may lead to overheating and damage to the motor.

When in use, the LED indicator light (7), glows GREEN. When power is Low, it glows Blinking GREEN. When running low on power, it will blink fast for 3 seconds and power off. Check to ensure that the on/off switch (6) is slid back to the position "0" when this has occurred.

Tips:

- Ensure that the dust filter (9), is always inserted before using the appliance.
- Vacuum only as much liquid as will fill the dirt container (0), to the MAX mark.

Always use the appropriate nozzle for the task at hand:

- the crevice nozzle (2), to clean narrow and difficult to reach locations.
- the wet vacuum nozzle (1), for vacuuming liquids.

Note:

After you have vacuumed up liquids, immediately clean the dirt container (0), otherwise bacteria and microbes could form in it. Ensure that the dust filter (9), is completely dry before using the appliance again.

3. To switch the appliance on, slide the on/off switch (6), forwards.

4. After using the product, slide the on/ off switch (6), to the rear off position.

CLEANING THE FILTER

To achieve the best results, empty the dirt container (0), and clean the dust filter 9 after every use.

Important!

Do not use aggressive, chemical or abrasive cleaning agents, as these could damage the surfaces of the appliance.

1. To open the dirt container (0), press the unlock button (8), and remove the dirt container (0).
2. Remove the dust filter (9) from the dirt container (0).
Empty the dirt container (0).
Pull the dust filter bag by its mounting out of the dust filter (9).
Rinse the dust filter bag in cold water and then wait until it is completely dry before

- you place it back into the dust filter. Do not dry it with hot air.
3. Place the dust filter (9) back into the dirt container (0). Ensure that the dust filter (9) is seated squarely and that the rubber lip seals the dirt container (0).
 4. Place the dirt container (0), back onto the motor block:
 - Push the plastic nose on the underside of the hand vacuum cleaner into the recess on the dirt container (0).
 - Press the unlock button (8) and, at the same time, slide the dirt container (0) onto the motor block.
 - Release the lock button (8), so that the restraint grips into the recess. The dirt container (0), now sits firmly on the motor block.
 5. Clean the housing and both nozzles with a lightly moistened cloth. For stubborn soiling use a mild detergent on the cloth.
 6. Dry all parts thoroughly before reusing the appliance or putting it into storage.

SERVICING THE APPLIANCE

There are no user serviceable parts in this appliance. If the unit is not operating correctly, please check the following:

- You have followed the instructions correctly
- That the wall socket is switched on.
- That the mains power supply is ON.
- That the plug is firmly in the mains socket.

If the appliance still does not work after checking the above:

Consult the retailer for possible repair or replacement. If the retailer fails to resolve the problem and you need to return the appliance, make sure that:

- The unit is packed carefully back into its original packaging.
- Proof of purchase is attached.
- A reason is provided for why it is being returned.

If the supply cord is damaged, it must be replaced by the manufacturer or an authorised service agent, to avoid any hazard. If service becomes necessary within the warranty period, the appliance should be returned to an approved Home of Living Brands (Pty) Limited service centre. Servicing outside the warranty period is still available, but will, however, be chargeable.

PLEASE AFFIX YOUR PROOF OF PURCHASE/RECEIPT HERE

IN THE EVENT OF A CLAIM UNDER WARRANTY THIS RECEIPT MUST BE PRODUCED.

WARRANTY

1. Home of Living Brands (Pty) Limited (“Home of Living Brands”) warrants to the original purchaser of this product (“the customer”) that this product will be free of defects in quality and workmanship which under normal personal, family or household use and purpose may manifest within a period of 1 (one) year from the date of purchase (“warranty period”).
2. Where the customer has purchased a product and it breaks, is defective or does not work properly for the intended purpose, the customer must notify the supplier from whom the customer bought the product (“the supplier”) thereof within the warranty period. Any claim in terms of this warranty must be supported by a proof of purchase. If proof of purchase is not available, then repair, and/or service charges may be payable by the customer to the supplier.
3. The faulty product must be taken to the supplier's service centre to exercise the warranty.
4. The supplier will refund, repair or exchange the product in terms of this warranty subject to legislative requirements. This warranty shall be valid only where the customer has not broken the product himself, or used the product for something that it is not supposed to be used for. The warranty does not include and will not be construed to cover products damaged as a result of disaster, misuse, tamper, abuse or any unauthorised modification or repair of the product.
5. This warranty will extend only to the product provided at the date of the purchase and not to any expendables attached or installed by the customer.
6. If the customer requests that the supplier repairs the product and the product breaks or fails to work properly within 3 (three) months of the repair and not as a result of misuse, tampering or modification by or on behalf of the customer, then the supplier may replace the product or pay a refund to the customer.
7. The customer may be responsible for certain costs where products returned are not in the original packaging, or if the packaging is damaged. This will be deducted from any refund paid to the customer.

HOME OF LIVING BRANDS (PTY) LTD (JOHANNESBURG)

JOHANNESBURG

TEL NO. (011) 490-9600

NATIONAL CONTACT CENTRE

TEL NO. (087) 245-0029

www.homeoflivingbrands.com